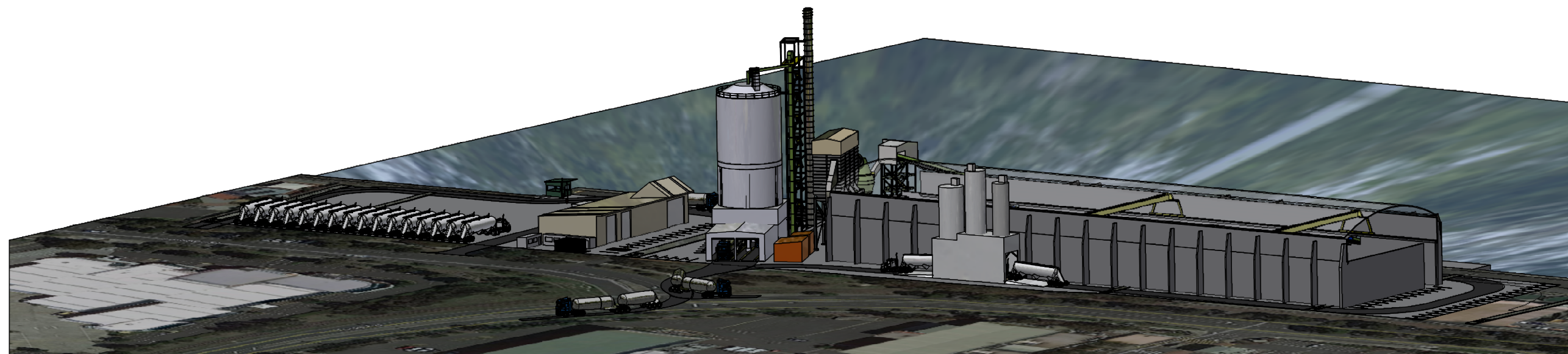


PERSPECTIVE LOOKING SOUTH-EAST
SCALE (1:500)



PERSPECTIVE LOOKING NORTH-WEST
SCALE (1:500)

REV	DESCRIPTION OF CURRENT REVISION	DRAWN:	APPROVED:	REVIEWED:	DATE:
G	6th REVIEW	T S BLUTE	TM	BW	15/07/2021

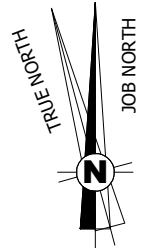
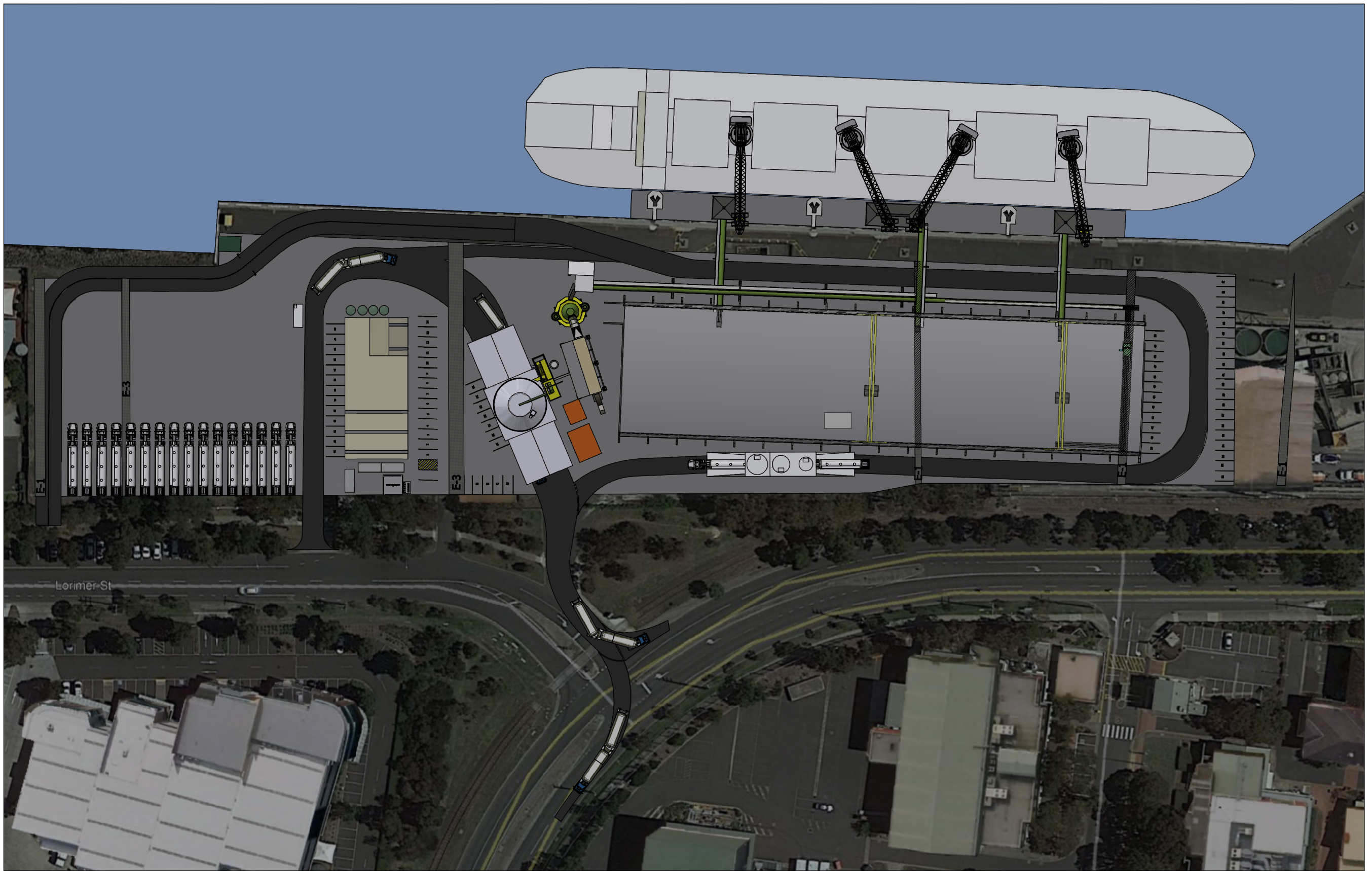
THIS DOCUMENT AND ANY INFORMATION OR DESCRIPTIVE MATTER CONTAINED IS COMMUNICATED IN CONFIDENCE AND IS THE COPYRIGHT PROPERTY OF AMMJOHNS PTY LTD. NEITHER THE WHOLE NOR ANY EXTRACT MAY BE DISCLOSED COPIED OR USED FOR MANUFACTURING OR TENDERING PURPOSES WITHOUT THE EXPRESSED WRITTEN CONSENT OF AMMJOHNS PTY LTD

SCALE	AS NOTED	DATE
DRAWN	T S BLUTE	27/05/2021
CHECKED	TM	15/07/2021
DESIGNED	T S BLUTE	15/07/2021
PIE APPRVD	BW	15/07/2021



ISSUED FOR REVIEW					
CEMENT AUSTRALIA VRM ARRANGEMENT VRM COMPLEX					
Job Number	Area	Type	Drawing	Sheet	Revision
AJ148 - 00 - GA - 012 - 1 - G					

C:\Users\blut\Dropbox (ammjohn)\AJ148 3D Modelling\3D MODEL\Inventor\Drawings\AJ148-00-GA-00-012 VRM ARRANGEMENT.dwg



PLAN VIEW
SCALE (1:500)

G	6th REVIEW	T S BLUTE	TM	BW	15/07/2021
REV	DESCRIPTION OF CURRENT REVISION	DRAWN:	APPROVED:	REVIEWED:	DATE:

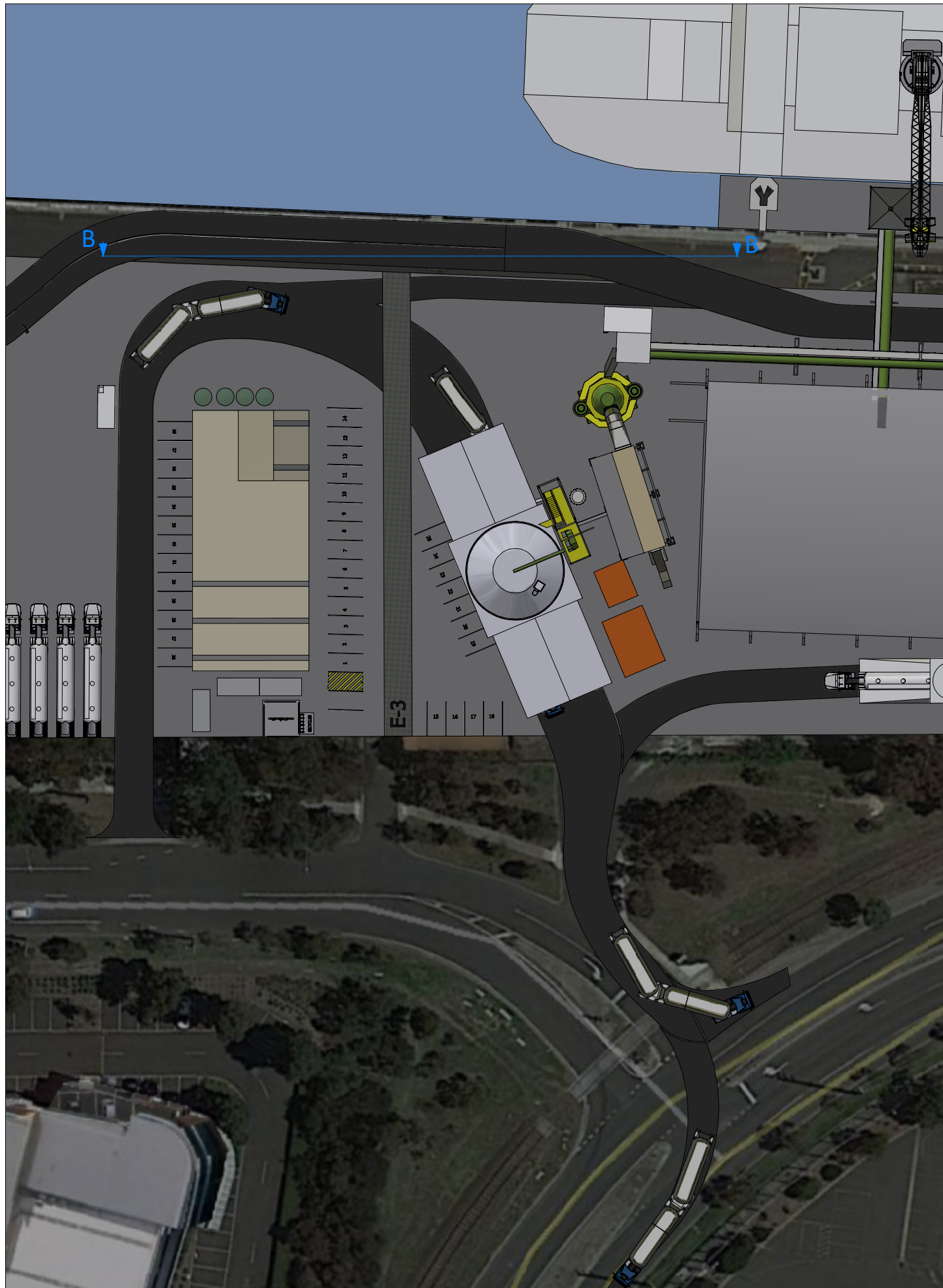
SCALE	AS NOTED	DATE
DRAWN	T S BLUTE	27/05/2021
CHECKED	TM	15/07/2021
DESIGNED	T S BLUTE	15/07/2021
PM APPROVD	BW	15/07/2021



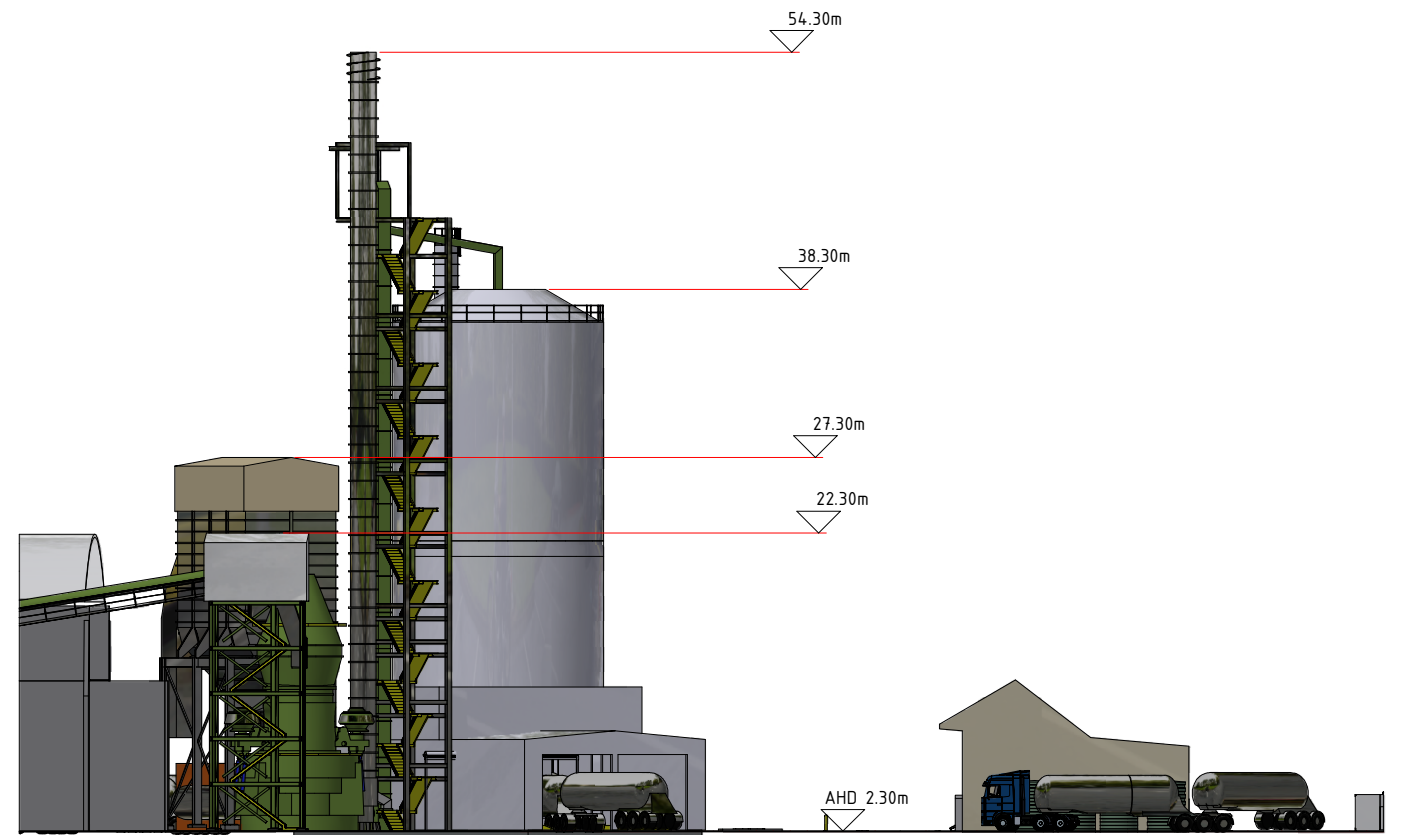
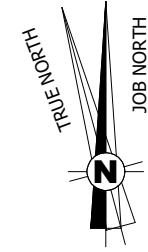
ISSUED FOR REVIEW					
CEMENT AUSTRALIA VRM ARRANGEMENT SITE PLAN					
Job Number	Area	Type	Drawing	Sheet	Revision
AJ148 - 00 - GA - 012 - 2 - G				A1	

THIS DOCUMENT AND ANY INFORMATION OR DESCRIPTIVE MATTER CONTAINED IS COMMUNICATED IN CONFIDENCE AND IS THE COPYRIGHT PROPERTY OF AMMJOHNS PTY LTD. NEITHER THE WHOLE NOR ANY EXTRACT MAY BE DISCLOSED COPIED OR USED FOR MANUFACTURING OR TENDERING PURPOSES WITHOUT THE EXPRESSED WRITTEN CONSENT OF AMMJOHNS PTY LTD

C:\Users\blut\Dropbox (ammjohn)\AJ148 3D Modelling\3D MODEL\Inventor\Drawings\AJ148-00-GA-00-012 VRM ARRANGEMENT.dwg



PLAN VIEW VRM ARRANGEMENT
SCALE 1:350



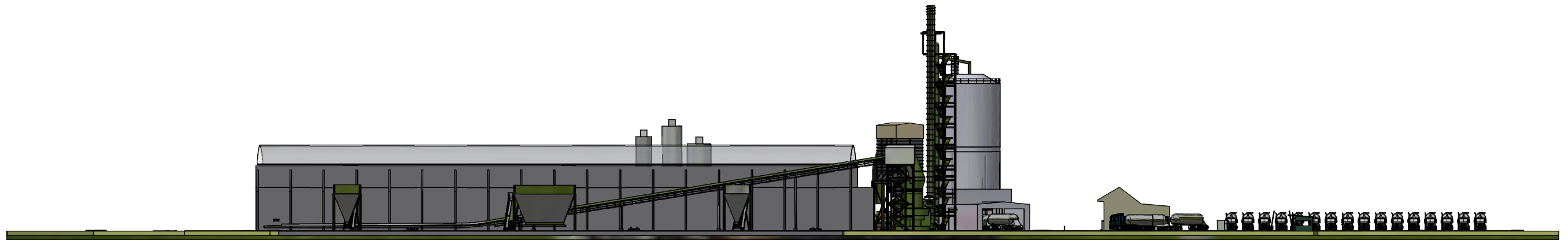
SECTION B-B
SCALE 1:350

REV	DESCRIPTION OF CURRENT REVISION	DRAWN:	APPROVED:	REVIEWED:	DATE:
G	6th REVIEW	T S BLUTE	TM	BW	15/07/2021

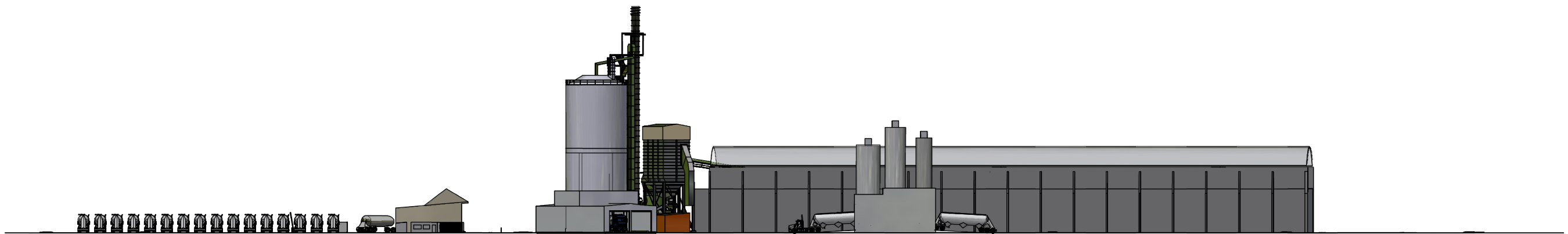
SCALE	AS NOTED	DATE
DRAWN	T S BLUTE	27/05/2021
CHECKED	TM	15/07/2021
DESIGNED	T S BLUTE	15/07/2021
PIE APPROV	BW	15/07/2021



ISSUED FOR REVIEW					
CEMENT AUSTRALIA VRM ARRANGEMENT VRM LAYOUT AND ELEVATION					
Job Number	Area	Type	Drawing	Sheet	Revision
AJ148 - 00 - GA - 012 - 3 - G				A1	



ELEVATION LOOKING SOUTH
SCALE (1:500)



ELEVATION LOOKING NORTH
SCALE (1:500)

REV	DESCRIPTION OF CURRENT REVISION	REVISION HISTORY	DATE
G	6th REVIEW	T S BLUTE	15/07/2021
		TM	
		BW	

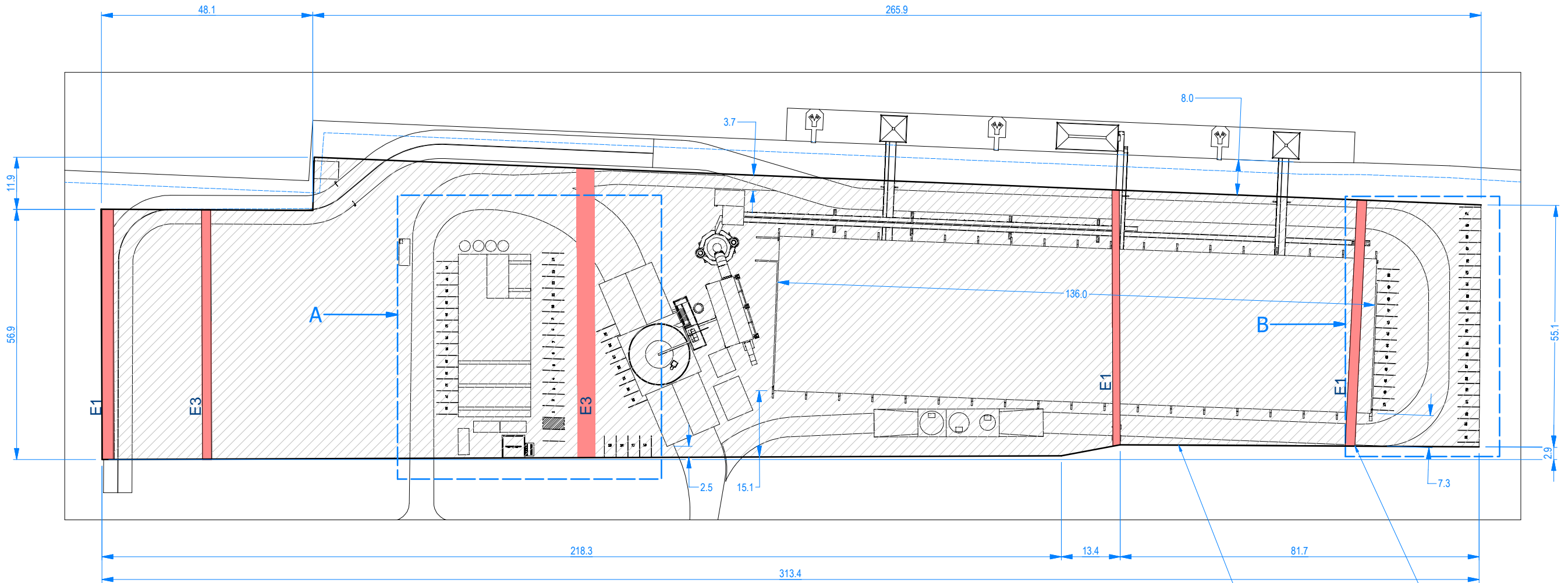
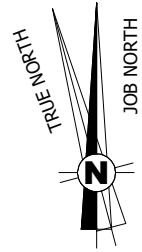
SCALE	AS NOTED	DATE
DRAWN	T S BLUTE	27/05/2021
CHECKED	TM	15/07/2021
DESIGNED	T S BLUTE	15/07/2021
FILE APPROVD	BW	15/07/2021



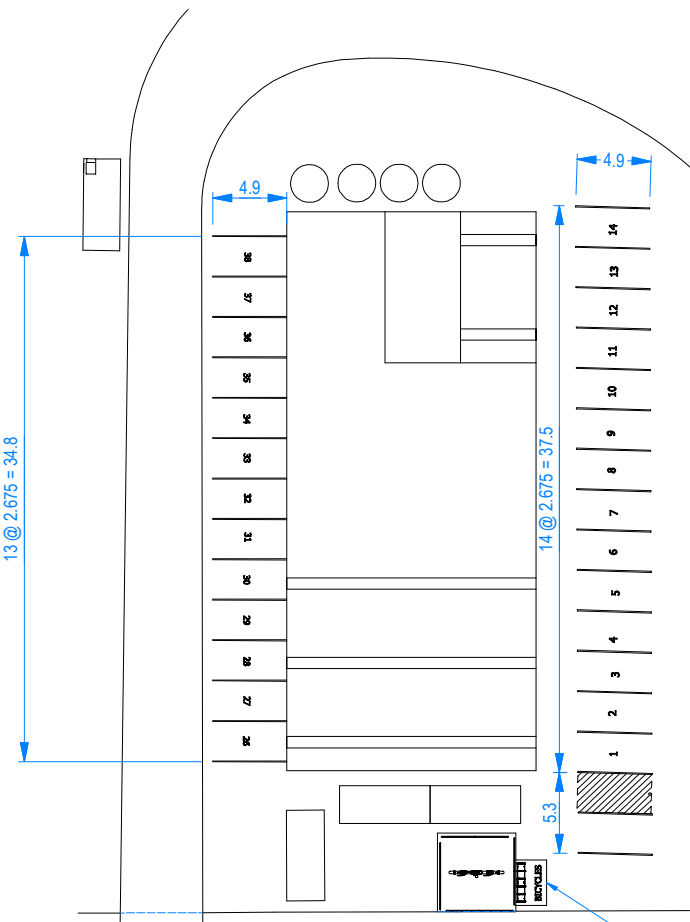
ISSUED FOR REVIEW					
CEMENT AUSTRALIA VRM ARRANGEMENT ELEVATIONS					
Job Number	Area	Type	Drawing	Sheet	Revision
AJ148 - 00 - GA - 012 - 4 - G				A1	

C:\Users\blut\Dropbox (ammjohn)\AJ148 3D Modelling\3D MODEL\Invention\Drawings\AJ148-00-GA-012 VRM ARRANGEMENT.dwg

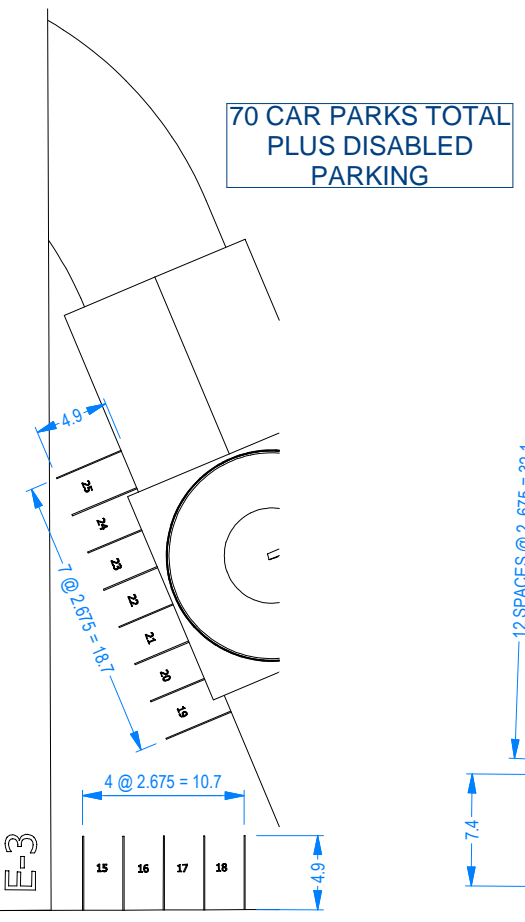
THIS DOCUMENT AND ANY INFORMATION OR DESCRIPTIVE MATTER CONTAINED IS COMMUNICATED IN CONFIDENCE AND IS THE COPYRIGHT PROPERTY OF AMMJOHNS PTY LTD. NEITHER THE WHOLE NOR ANY EXTRACT MAY BE DISCLOSED COPIED OR USED FOR MANUFACTURING OR TENDERING PURPOSES WITHOUT THE EXPRESSED WRITTEN CONSENT OF AMMJOHNS PTY LTD



LEASE BOUNDARY (HATCHED) EASEMENTS



CAR PARKING DETAIL "A"
SCALE (1 : 250)



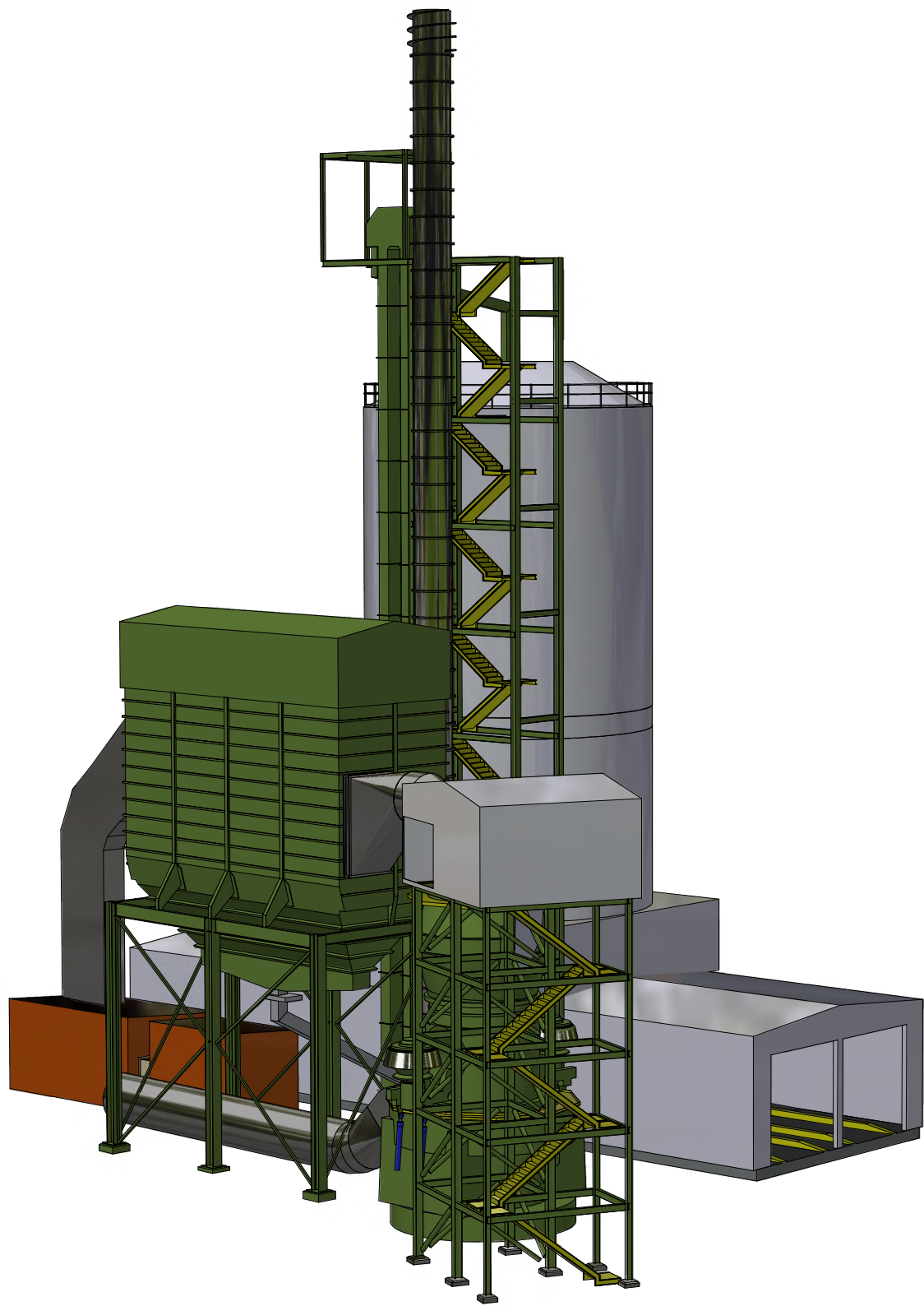
CAR PARKING DETAIL "B"
SCALE (1 : 250)

70 CAR PARKS TOTAL PLUS DISABLED PARKING

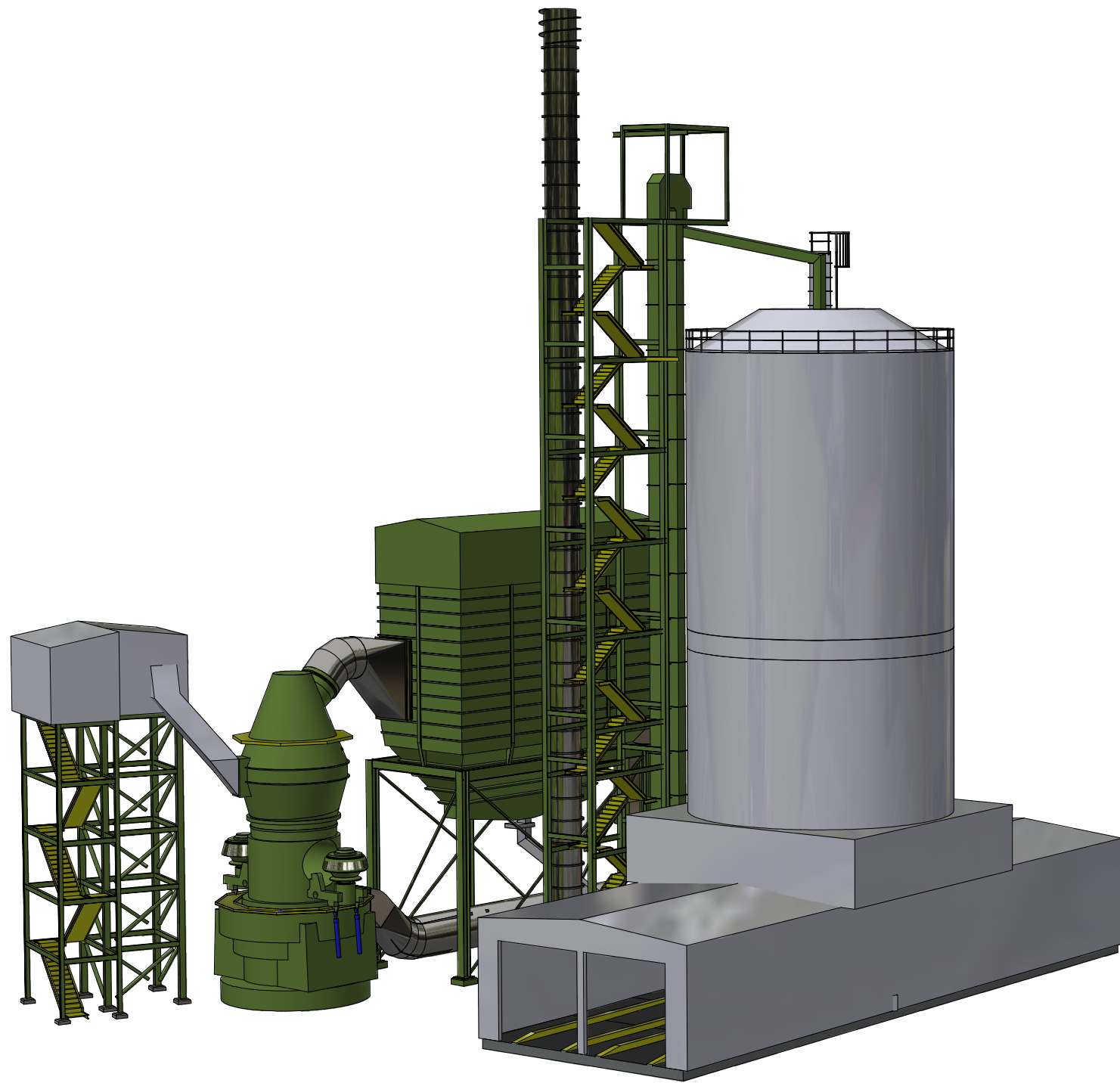
SCALE	AS NOTED	DATE	REVISION HISTORY			
DRAWN	T S BLUTE	27/05/2021	G	6th REVIEW	T S BLUTE	15/07/2021
CHECKED	TM	15/07/2021	REV	DESCRIPTION OF CURRENT REVISION	TM	APPROVED:
DESIGNED	T S BLUTE	15/07/2021			BW	REVIEWED:
PRE APPRVD	BW	15/07/2021				DATE:

ISSUED FOR REVIEW					
CEMENT AUSTRALIA VRM ARRANGEMENT SITE DIMENSIONS					
Job Number	Area	Type	Drawing	Sheet	Revision
AJ148 - 00 - GA - 012 - 5 - G				A1	





PERSPECTIVE LOOKING NORTH-WEST
SCALE (1:150)



PERSPECTIVE LOOKING NORTH-EAST
SCALE (1:150)

REV	DESCRIPTION OF CURRENT REVISION	REVISION HISTORY	DRAWN:	APPROVED:	REVIEWED:	DATE:
D	4th REVIEW		T S BLUTE	TM	BW	6/07/2021

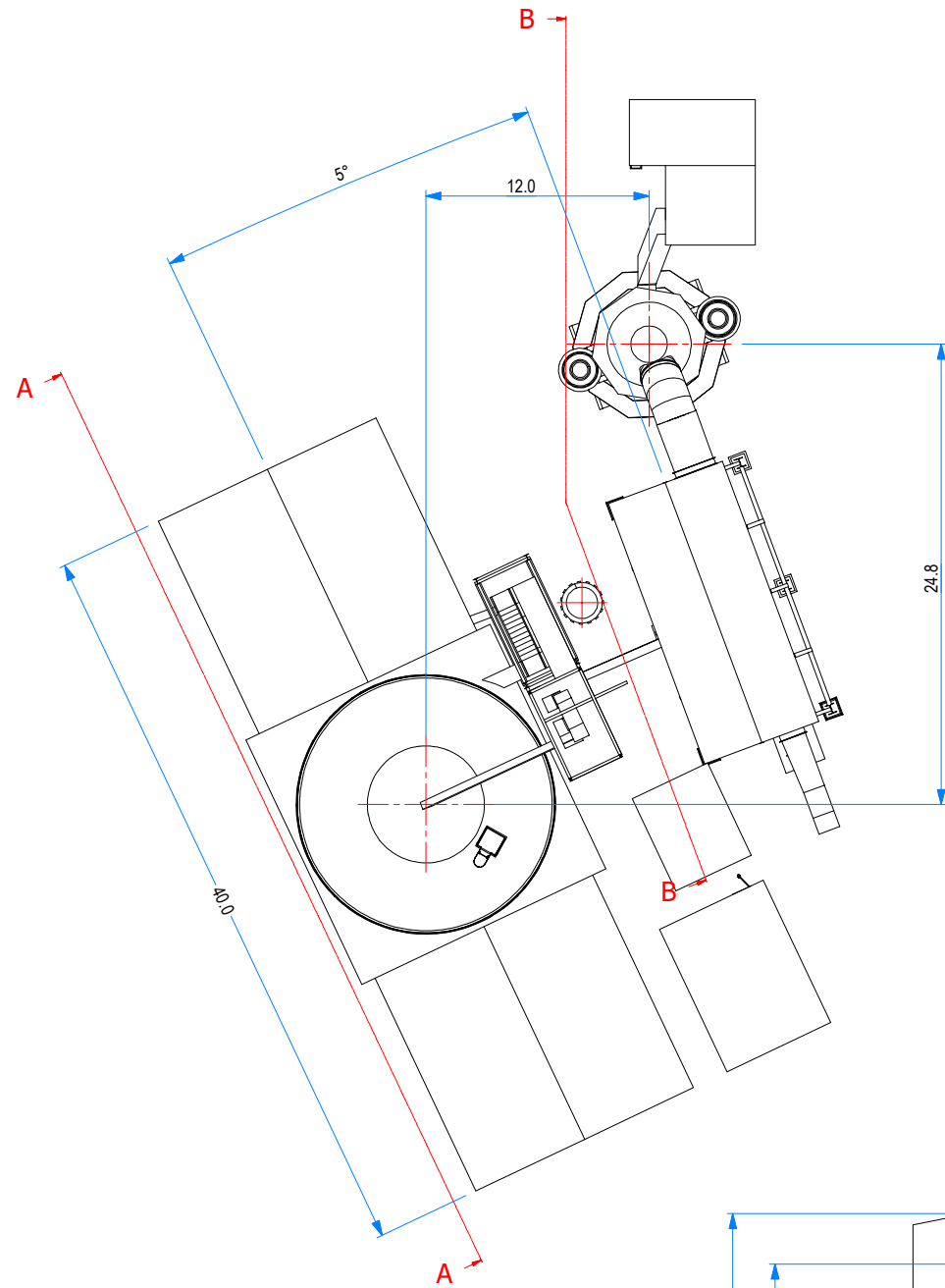
SCALE	AS NOTED	DATE
DRAWN	tblute	3/06/2021
CHECKED	TM	6/07/2021
DESIGNED	tblute	6/07/2021
PM APPROV		6/07/2021



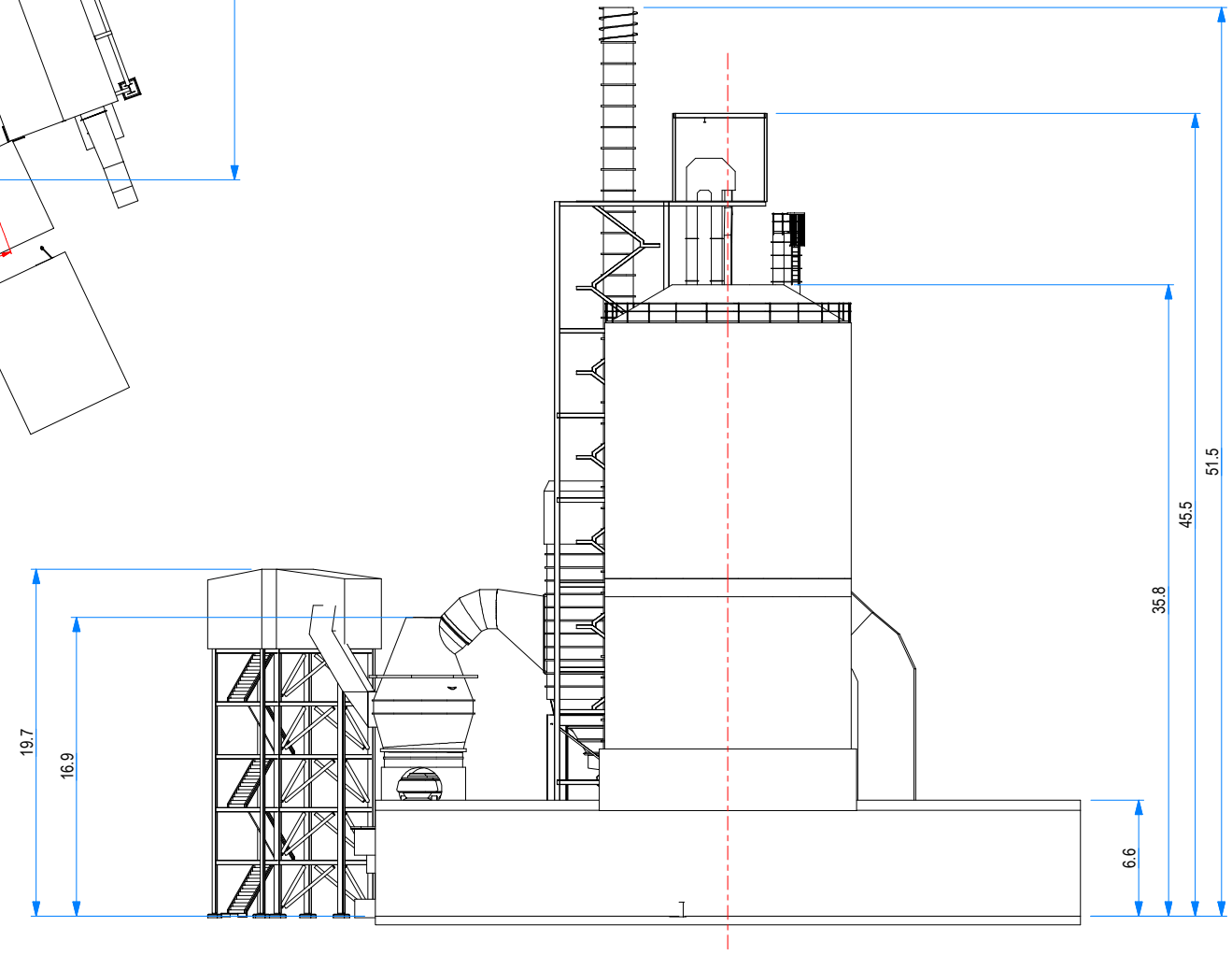
FOR REVIEW					
CEMENT AUSTRALIA VRM ARRANGEMENT					
VRM-BAG HOUSE-SILO-WEIGH BRIDGE					
Job Number	Area	Type	Drawing	Sheet	Revision
AJ148 - 00 - GA - 014 - 1 - D					



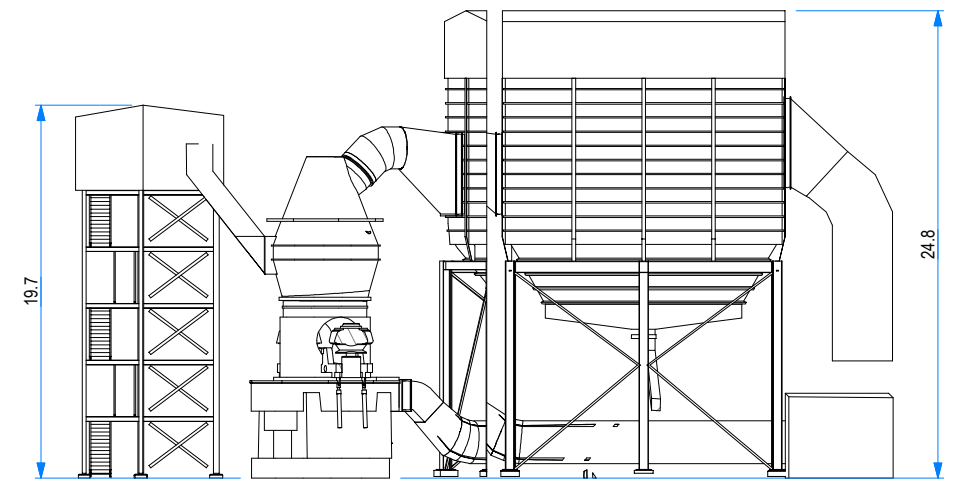
C:\Users\blut\Dropbox (ammjohn)\AJ148 3D Modelling\3D MODEL\Inventor\Drawings\AJ148-00-GA-0000-014.lwt



PLAN VIEW
SCALE (1:200)



SECTION "A-A"
SCALE (1:200)



SECTION "B-B"
SCALE (1:200)

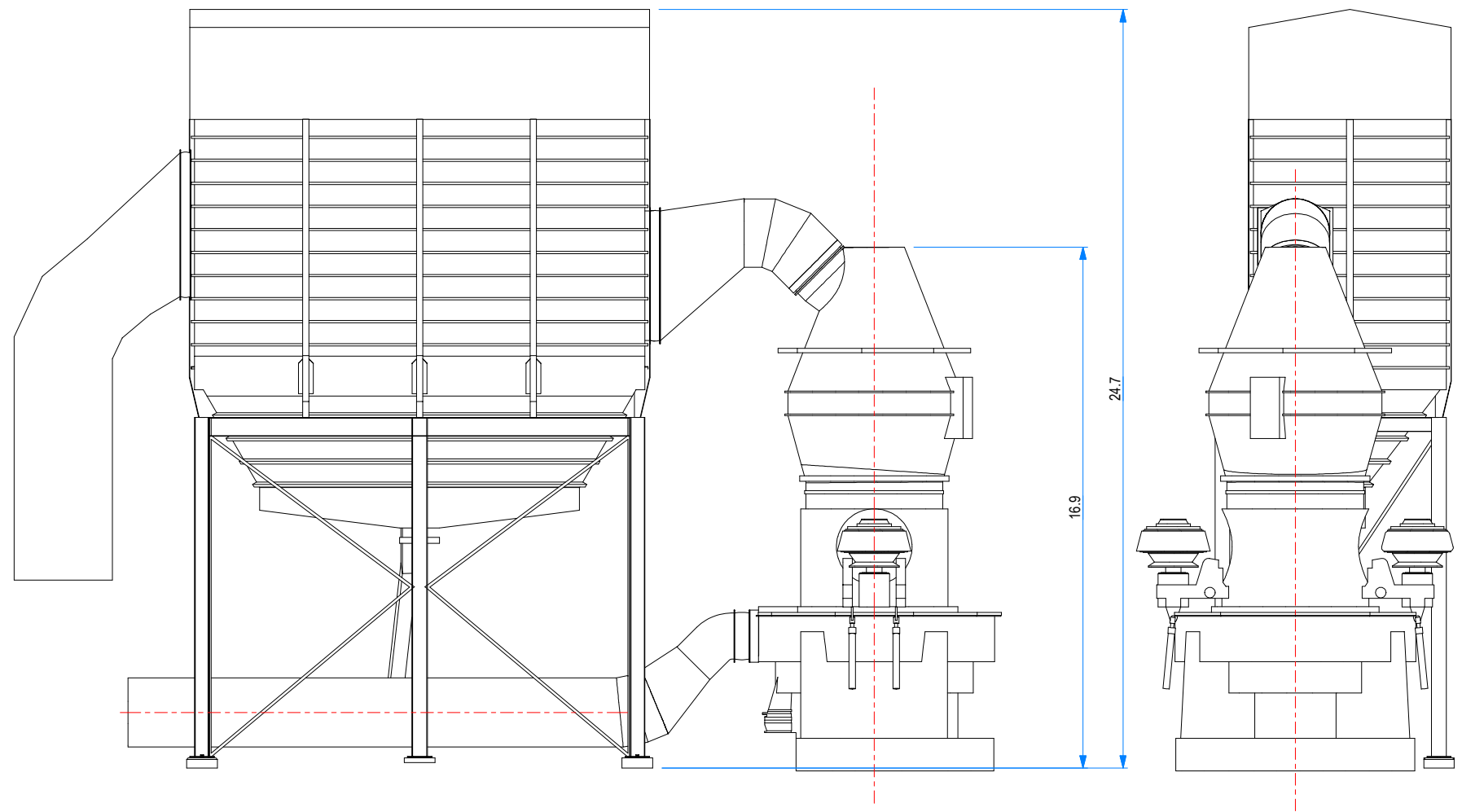
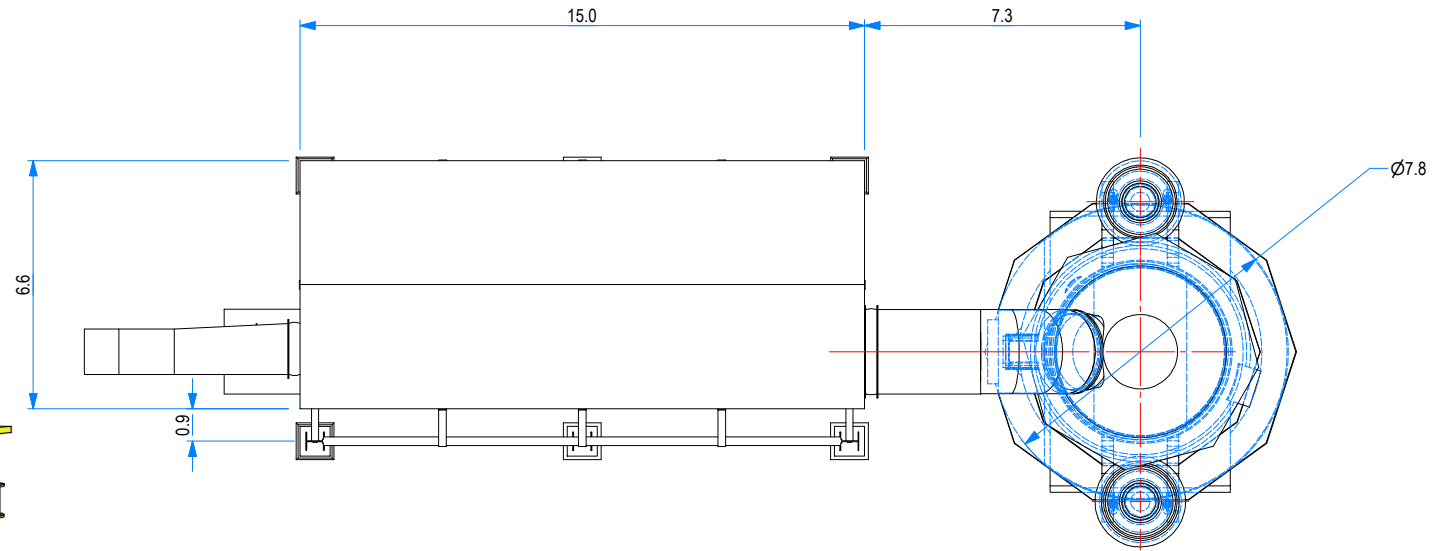
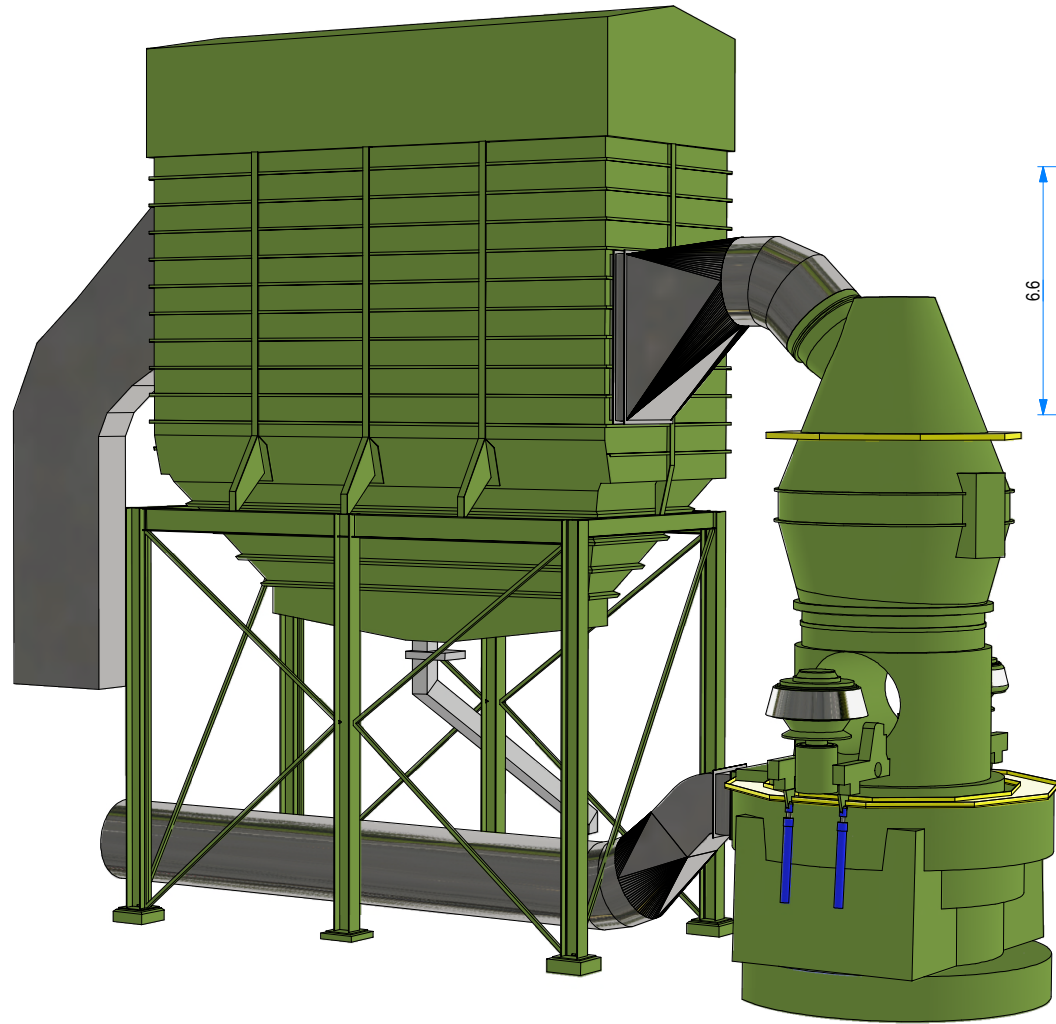
D	4th REVIEW	T S BLUTE	TM	BW	6/07/2021
REV	DESCRIPTION OF CURRENT REVISION	DRAWN:	APPROVED:	REVIEWED:	DATE:

SCALE	AS NOTED	DATE
DRAWN	tblute	3/06/2021
CHECKED	TM	6/07/2021
DESIGNED	tblute	6/07/2021
PM APPRVD		6/07/2021



FOR REVIEW					
CEMENT AUSTRALIA VRM ARRANGEMENT VRM-BAG HOUSE-SILO-WEIGH BRIDGE					
Job Number	Area	Type	Drawing	Sheet	Revision
AJ148 - 00 - GA - 014 - 2 - D				A1	



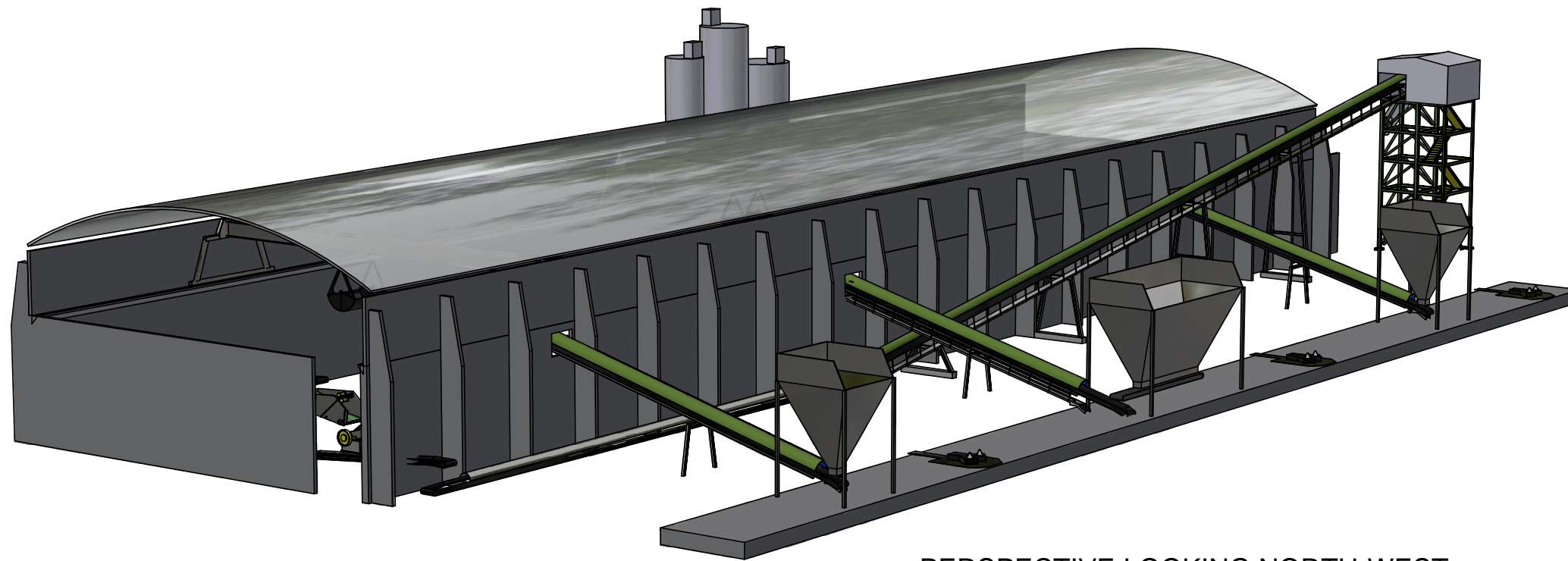


D	4th REVIEW	T S BLUTE	TM	BW	6/07/2021
REV	DESCRIPTION OF CURRENT REVISION	DRAWN:	APPROVED:	REVIEWED:	DATE:

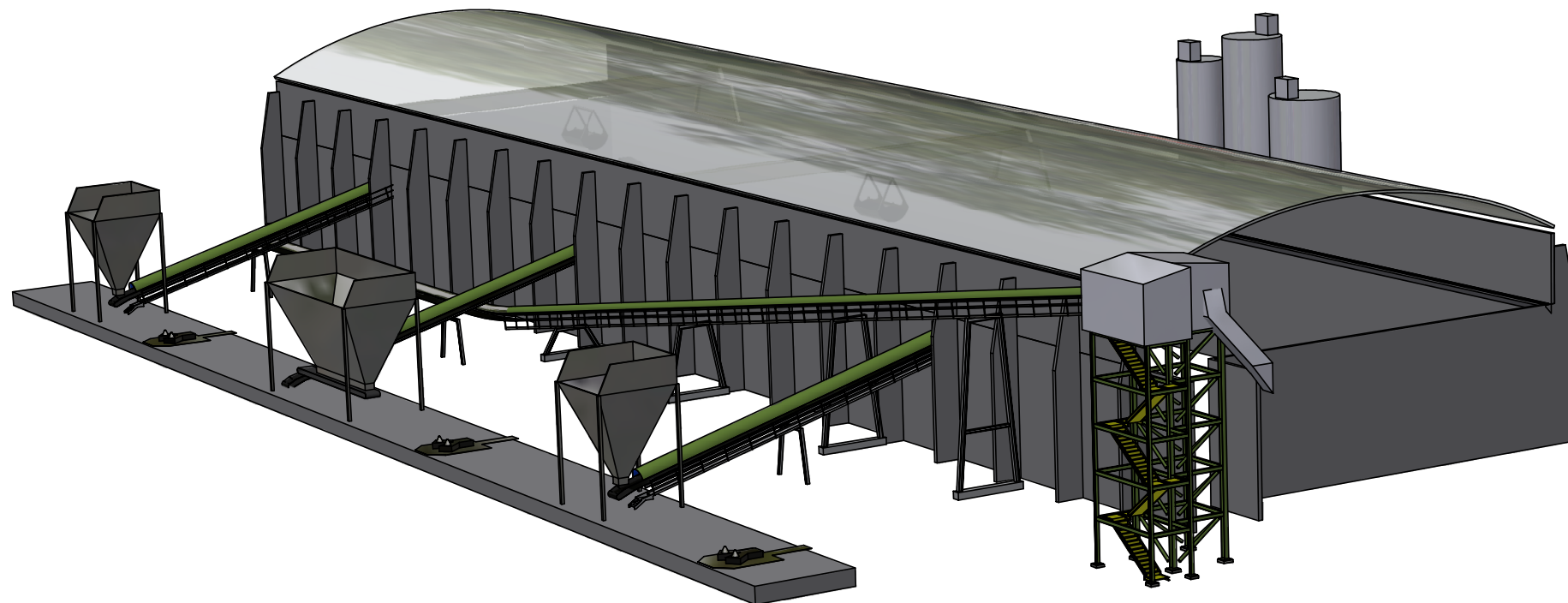
SCALE	AS NOTED	DATE
DRAWN	tblute	3/06/2021
CHECKED	TM	6/07/2021
DESIGNED	tblute	6/07/2021
PM APPVD		6/07/2021



FOR REVIEW					
CEMENT AUSTRALIA VRM ARRANGEMENT VRM-BAG HOUSE					
Job Number	Area	Type	Drawing	Sheet	Revision
AJ148 - 00 - GA - 014 - 3 - D				A1	



PERSPECTIVE LOOKING NORTH-WEST
SCALE (1:250)



PERSPECTIVE LOOKING NORTH-EAST
SCALE (1:250)

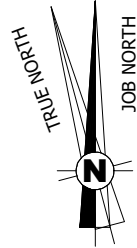
REV	DESCRIPTION OF CURRENT REVISION	DATE	DESIGNED	CHECKED	DRAWN	APPROVED	REVIEWED
G	6th REVIEW	15/07/2021	T S BLUTE	TM	BIW		

SCALE	AS NOTED	DATE
DRAWN	tblute	3/06/2021
CHECKED	TM	15/07/2021
DESIGNED	tblute	15/07/2021
PM APPROV		15/07/2021

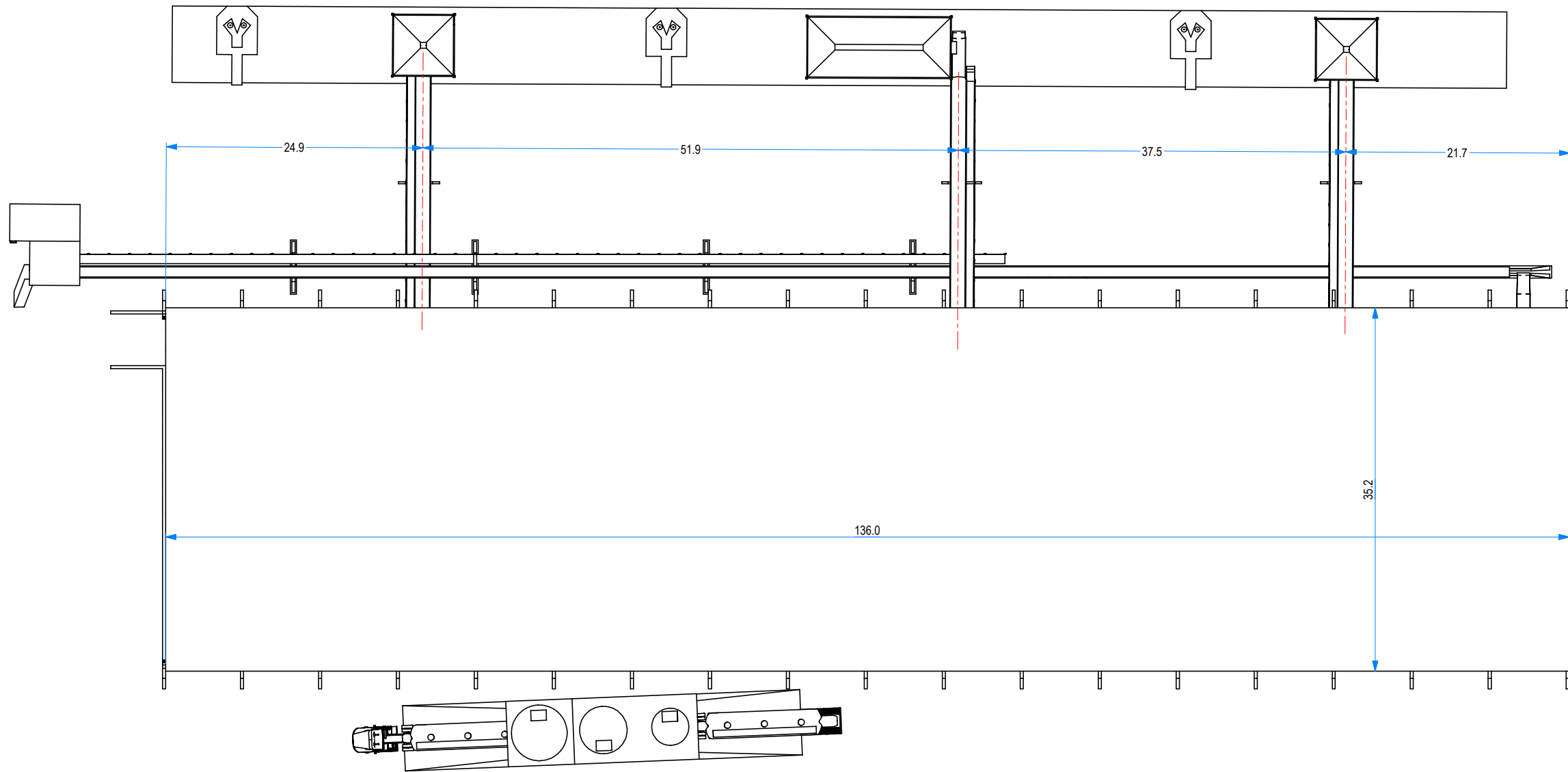


FOR REVIEW					
CEMENT AUSTRALIA VRM ARRANGEMENT STORAGE SHED FEED AND DISCHARGE					
Job Number	Area	Type	Drawing	Sheet	Revision
AJ148 - 00 - GA - 013 - 1 - G					A1

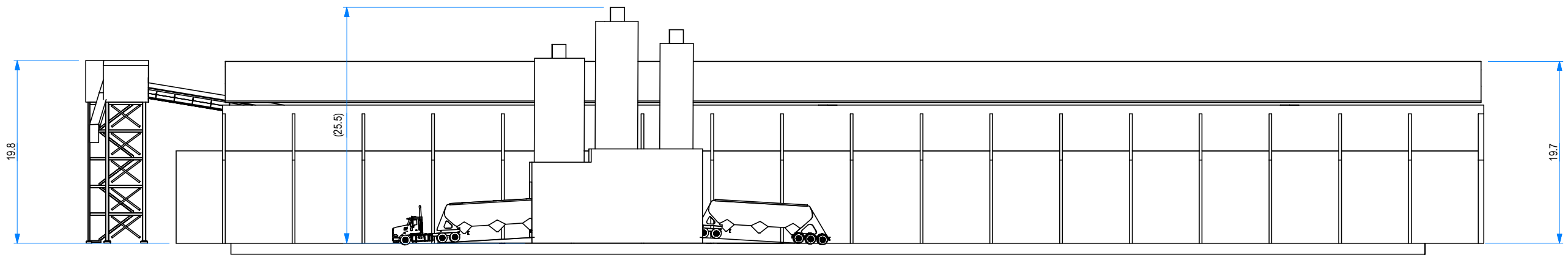
C:\Users\blut\Dropbox (ammjohn)\AJ148 3D Modelling\3D MODEL\Inventor\Drawings\AJ148-00-GA-0000-013.iaw



A A



PLAN VIEW



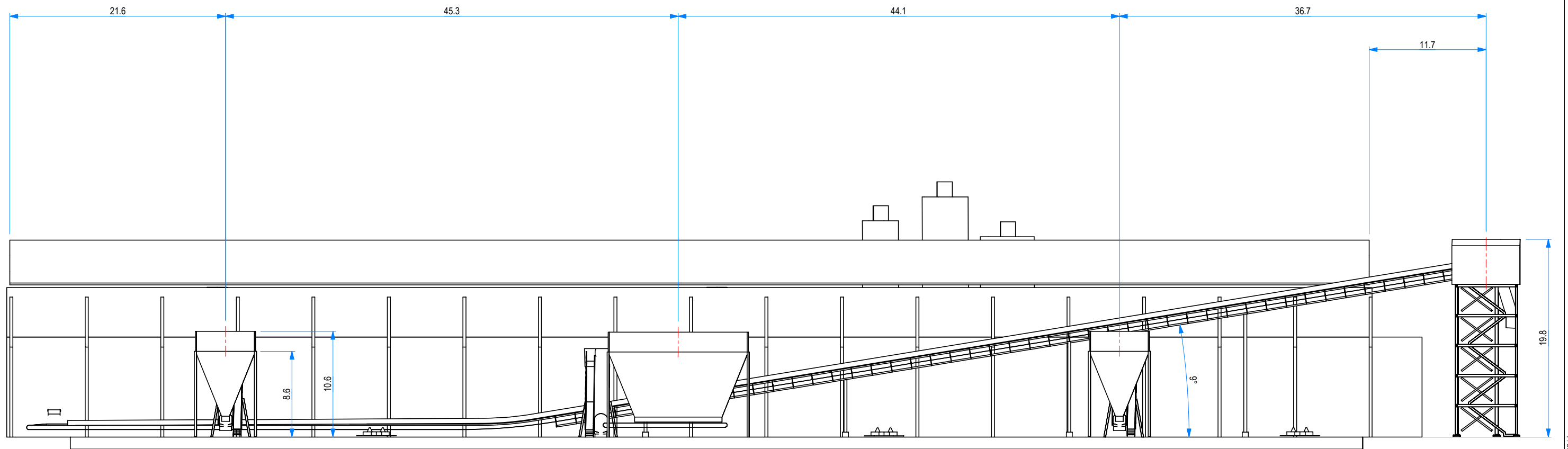
ELEVATION LOOKING NORTH

REV	DESCRIPTION OF CURRENT REVISION	DRAWN:	APPROVED:	REVIEWED:	DATE:
G	6th REVIEW	T S BLUTE	TM	BIW	15/07/2021

SCALE	AS NOTED	DATE
DRAWN	tblute	3/06/2021
CHECKED	TM	15/07/2021
DESIGNED	tblute	15/07/2021
PM APPROV		15/07/2021



FOR REVIEW					
CEMENT AUSTRALIA VRM ARRANGEMENT STORAGE SHED FEED AND DICHARGE					
Job Number	Area	Type	Drawing	Sheet	Revision
AJ148 - 00 - GA - 013 - 2 - G				A1	



SECTION "A"
SCALE (1:200)

REV	DESCRIPTION OF CURRENT REVISION	REVISION HISTORY	DATE
G	6th REVIEW	T S BLUTE	15/07/2021
		TM	
		BIW	
		DATE:	

SCALE	AS NOTED	DATE
DRAWN	tblute	3/06/2021
CHECKED	TM	15/07/2021
DESIGNED	tblute	15/07/2021
PM APPROV		15/07/2021



FOR REVIEW					
CEMENT AUSTRALIA VRM ARRANGEMENT STORAGE SHED FEED AND DISCHARGE					
Job Number	Area	Type	Drawing	Sheet	Revision
AJ148 - 00 - GA - 013 - 3 - G					A1

C:\Users\blut\Dropbox (ammjohn)\AJ148 3D Modelling\3D MODEL\Inventor\Drawings\AJ148-00-GA-0000-013.iaw

THIS DOCUMENT AND ANY INFORMATION OR DESCRIPTIVE MATTER CONTAINED IS COMMUNICATED IN CONFIDENCE AND IS THE COPYRIGHT PROPERTY OF AMMJOHNS PTY LTD. NEITHER THE WHOLE NOR ANY EXTRACT MAY BE DISCLOSED COPIED OR USED FOR MANUFACTURING OR TENDERING PURPOSES WITHOUT THE EXPRESSED WRITTEN CONSENT OF AMMJOHNS PTY LTD